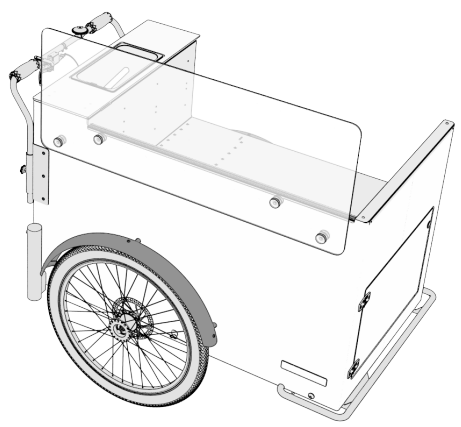




# P&E DATASHEET

## PUSHCART STANDARD COOKING PRO III

P&E MODEL:	PUSHCART STANDARD COOKING PRO III
REFRIGERANT:	no cooling included
TARE WEIGHT:	60 kg
TOTAL WEIGHT:	180 kg



### PRO III SETUP:

stainless steel cooking insert (L x D x H: 86 x 66 x 31.5 cm); customizable with panels and shelf boards; cooking with gas or external power source; may be used as a trailer with separately available drawbar

### PUSHCART STANDARD:

steel frame including metal housing for battery and electronics; stainless-steel handlebar; disc brakes with locking function

