



PICK-UP

How to pick up your paul&ernst product



Pick-ups by appointment only:

Monday through Thursday: 8:30 am - 12:00 pm and 1:00 pm - 3:30 pm

Friday: 8:30am - 11:00 am



Where to find us:

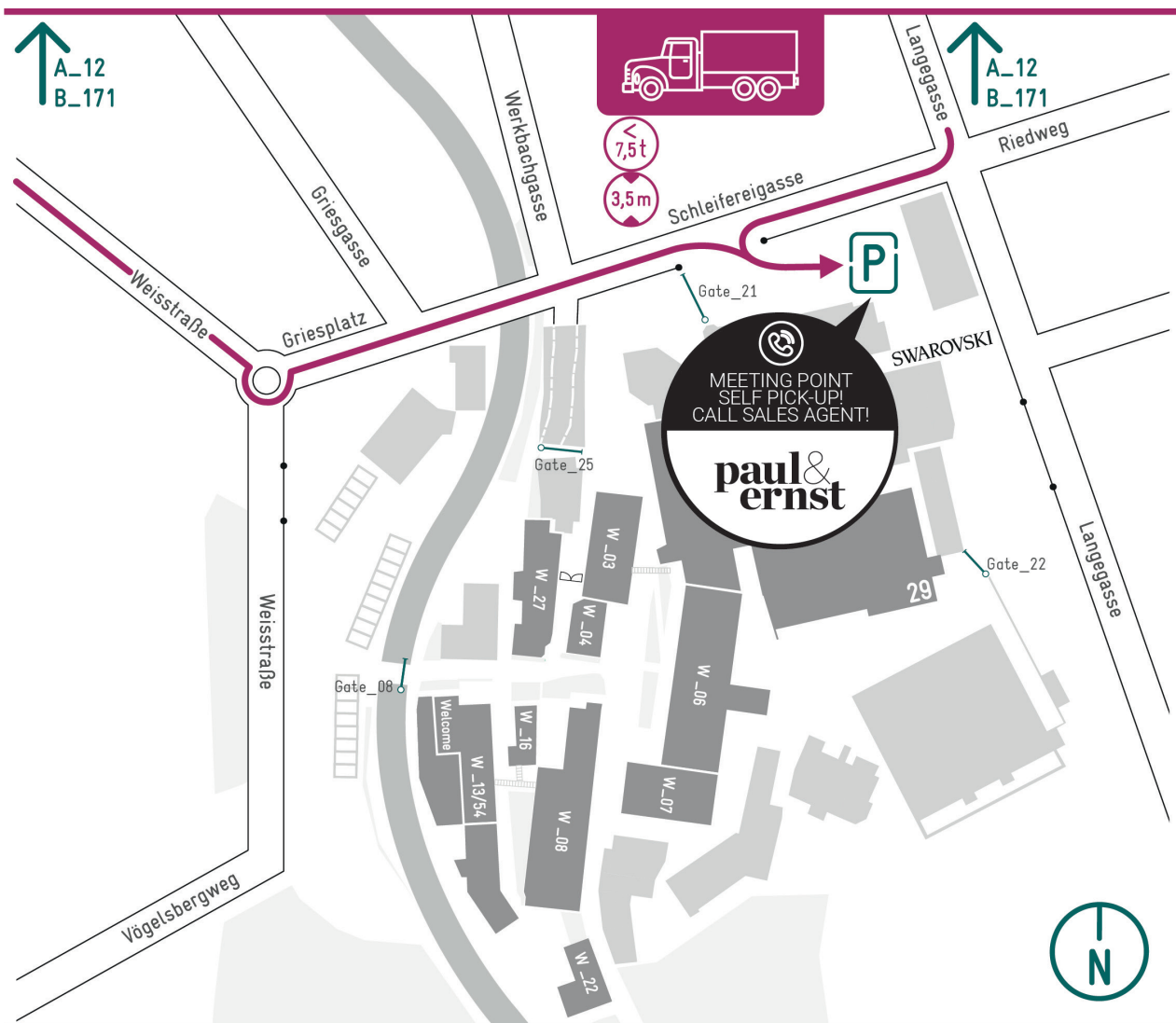
Schleifereigasse 1, 6112 Wattens, Austria

Google Maps: [CLICK HERE](#)



Upon your arrival:

Call your Sales Agent 5 minutes before your arrival



OUR SALES TEAM IS HAPPY TO ANSWER FURTHER QUESTIONS.
www.paulandernst.com | info@paulandernst.com | +43 1 36 166 100



PICK-UP

How to pick up your paul&ernst product

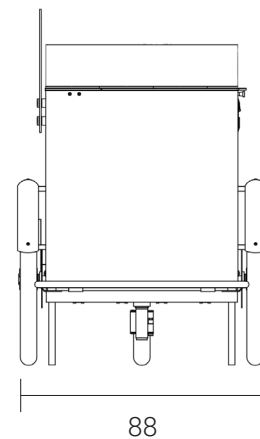
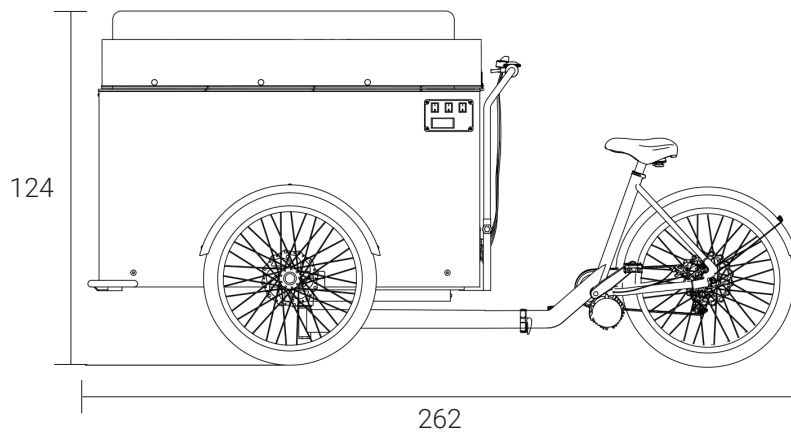
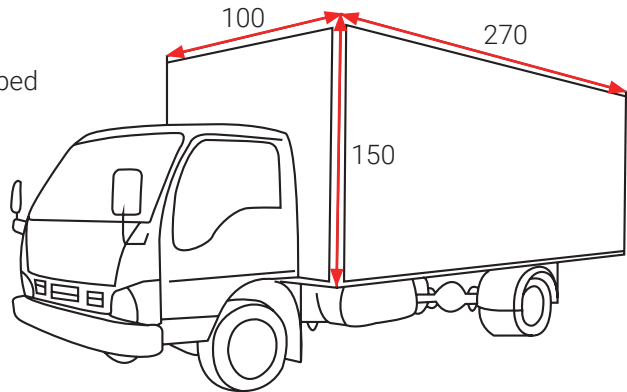
What to bring:

- At least 2 ratchet straps to secure your cargo
- Blankets and cushions to cover your product
- A delivery van, pick-up truck, or trailer that has a bed with the following minimum dimensions:

Width 100 cm

Height 150 cm

Length 270 cm



Please note that you will need a ramp and at least two people for loading and unloading your product.

You're welcome to use our ramps, or you may buy ramps locally at paul&ernst's headquarter.



To get started right after pick-up, you are going to find a video tutorial for the First Steps right here.

WATCH THE VIDEO