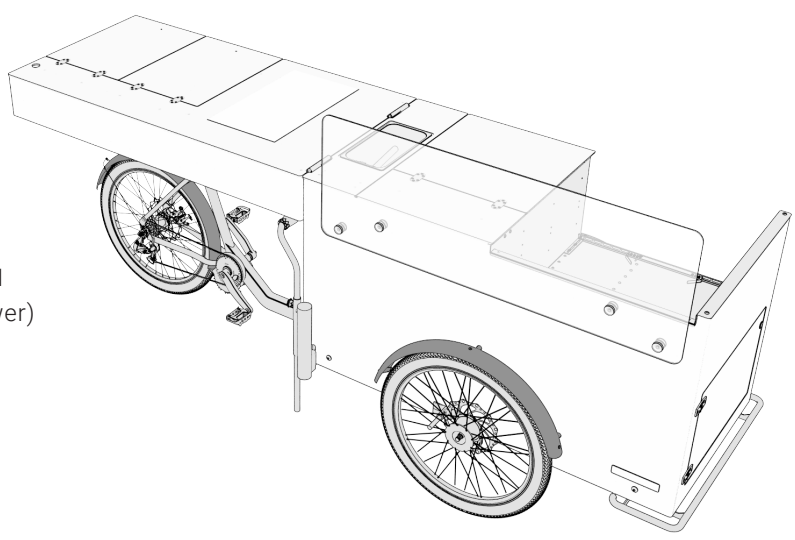




P&E DATASHEET 2024 COOKING PRO I

P&E MODEL:	COOKING BIKE PRO I
E-BIKE DRIVE:	250 Watt (Rated Power)
REFRIGERANT:	R290
TARE WEIGHT:	170 kg
TOTAL WEIGHT:	380 kg



PRO I SETUP:

stainless steel cooking insert (L x D x H: 61.5 cm x 66 x 31.5 cm); customizable with panels and shelf boards; cooking with gas or external power source; 75 L cooling unit

E-CARGO-BIKE:

pedal-assist system with 500 watt E-Cargo motor (250 watt rated power); 11-speed Shimano Deore/XT chain gears; Magura Big Twin hydraulic disc brakes

