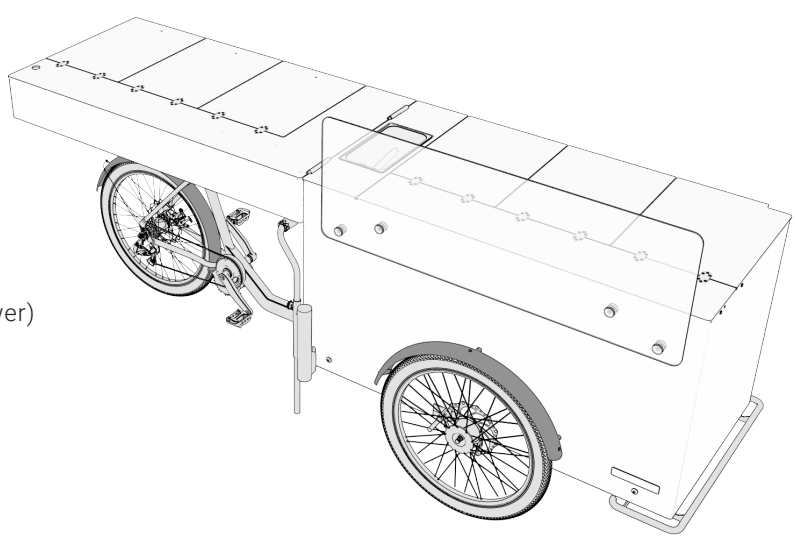




# P&E DATASHEET 2024 BASIC

P&E MODEL:	BASIC BIKE
E-BIKE DRIVE:	250 Watt (Rated Power)
REFRIGERANT:	R290
TARE WEIGHT:	160 kg
TOTAL WEIGHT:	380 kg



### BASIC SETUP:

available without or with cooling unit of 240 liters; available with or without water system (2 x 14 liters of fresh/waste water)

### E-CARGO-BIKE:

pedal-assist system with 500 watt E-Cargo motor (250 watt rated power); 11-speed Shimano Deore/XT chain gears; Magura Big Twin hydraulic disc brakes

